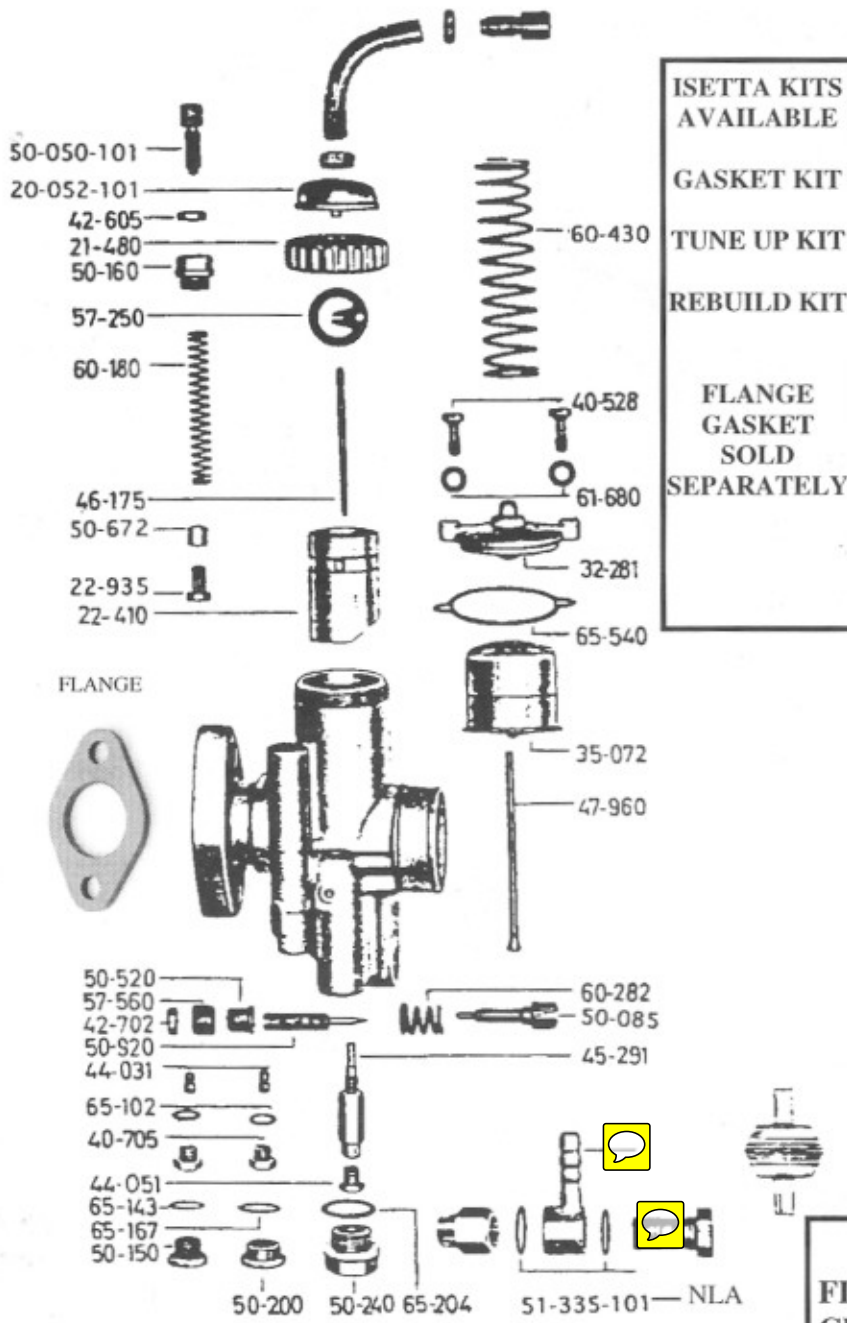


ISETTA



ISETTA KITS AVAILABLE

GASKET KIT

TUNE UP KIT

REBUILD KIT

FLANGE GASKET SOLD SEPARATELY

PART #	DESCRIPTION
20-052-101	CAP ASSEMBLY
22-935	CHOKE PISTON
22-410	SLIDE
32-281	FLOAT BOWL COVER
35-072	FLOAT
40-528	SCREW
40-705	PLUG
42-605	NUT
44-031	IDLE OR START JET
44-051	MAIN JET
45-XXX	NEEDLE JET
46-175	JET NEEDLE
47-960	FLOAT NEEDLE
50-050-101	ADJUSTER
50-150	PLUG
50-160	LOCK SCREW
50-200	PLUG
50-240	PLUG
50-520	IDLEAIR GUIDE
50-920	IDLEAIR SCREW
57-250	NEEDLE CLIP
57-560	SLEEVE
60-180	CHOKE SPRING
60-430	SLIDE SPRING
61-680	WASHER
65-540	GASKET
65-204	GASKET
65-167	GASKET
65-143	GASKET
65-102	GASKET
99.108-100	INLINE FILTER

ISETTA REPLACEMENTS

FLANGE TYPE 1/24/141 or 142 TYPE 120

CLAMP TYPE 1/24/123 TYPE 53

ISETTA SPECIFICATIONS

MODEL	BING CARB #	TYPE	MAIN JET	NEEDLE JET	IDLE JET	START JET	JET NEEDLE	CLIP POSITION	IDLE MIX SETTING
250	1/24/49	121	130	45-291-1408/6	35	55	175	2	2 1/2x
250	1/22/97	121	130	45-291-1310/6	35	55	175	1	1 1/2x
250 & 350	1/22/131	121	120	45-522-1408/6	35	55	175	2	1x
250 & 350	1/22/161	121	120	45-522-1308/6	35	55	175	2	1x
300	1/24/93	121	130	45-291-1310/6	35	55	175	3	2x
300	1/22/98	121	125	45-291-1308	35	55	175	2	1 1/2x